

1962

ELMENCO CAPACITORS

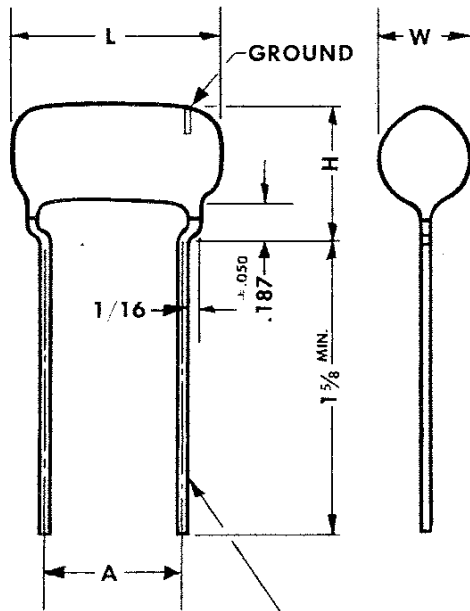
Dipped Mylar* - Paper (ELMENCO TYPE MPD)



The new Elmenco Type MPD (ARCO dp) capacitors are dip-coated tubular Mylar*-paper dielectric capacitors. They represent a double breakthrough in capacitor design by combining missile and computer quality with commercial radio-TV cost. The "dp" series is designed for near universal use from TV by-pass to critical industrial applications requiring stringent electrical and environmental characteristics. New high levels of ruggedness, stability, and reliability have been achieved, yet these new Elmenco capacitors are miniaturized for transistor circuitry.

Elmenco Type MPD capacitors are non-inductively wound and vacuum dipped to obtain solid impregnation and a rugged, moisture-proof coat. New fabricating techniques realize the full potential of the dielectric materials utilizing most of the low-cost procedures of the exclusive Elmenco dip-coat process. The result is a product of electrical excellence with high reliability in operation at 125°C. without derating. The specifications listed on this and following pages well-illustrate the inherent quality of these capacitors.

NOTE: The 100VDCW rated dp units are pure mylar® dielectric capacitors.



#20 (.032) TINNED ANNEALED
COPPERWELD WIRE

CASE SIZE	1	2	3	4	5	6
DIM. "A" ±1/32	1/4	7/16	23/32	27/32	1-3/32	1-27/32

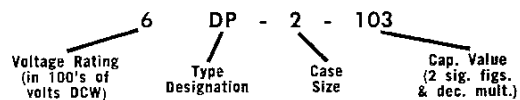
SPECIFICATIONS

TOLERANCE:	±10%.
VOLTAGE RATINGS:	100VDCW, 200VDCW, 400VDCW, 600VDCW, 1600VDCW, (1000VDCW upon request).
INSULATION RESISTANCE:	@ 25°C.: 5000 megohm-microfarads or 100,000 megohms minimum, whichever is the lesser. @ 125°C.: 70 megohm-microfarads or 1400 megohms minimum, whichever is the lesser.
POWER FACTOR:	1.0% maximum at 1kc.
TEMPERATURE RANGE:	-55°C. to +125°C. with no voltage derating.
CAPACITANCE CHANGE VS. TEMPERATURE:	From 25°C. to -55°C. [- 9.0% max.] From 25°C. to +125°C. [+12.0% max.]

LONG TERM OPERATING STABILITY AT FULL RATED VOLTAGE AND RATED TEMPERATURE EXTREMES IS ±2% MAXIMUM.

Part Numbers:

The part numbers indicated in the table of values on page 22 are constructed as follows:



The above example calls for a .01 mfd. capacitor with a 600VDCW voltage rating. Case dimensions are shown in the table of values listing on page 22.

ELMENCO CAPACITORS 1962

Dipped Mylar* - Paper (ELMENCO TYPE MPD)

*Reg. DuPont Trademark

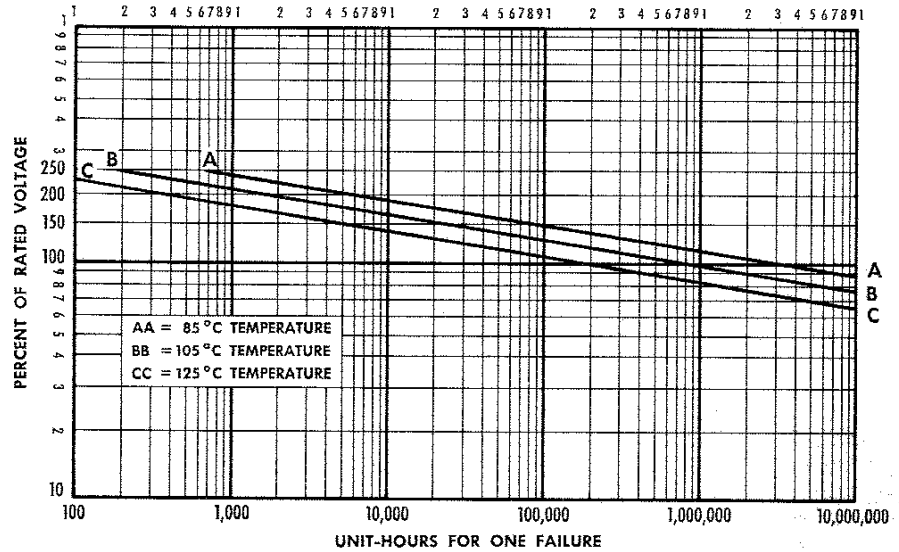
RELIABILITY

Exhaustive evaluation of ELMENCO Dipped Mylar*-Paper Capacitors has been conducted during the past four years and the product refined to its present high level of quality. The graph to the right is a plot of typical life expectancy for a theoretical 1 MFD. unit expressed in unit-hours operation to first failure as a function of voltage and temperature. It will be noted that those capacitors can be operated at 125°C. in most applications with excellent reliability.

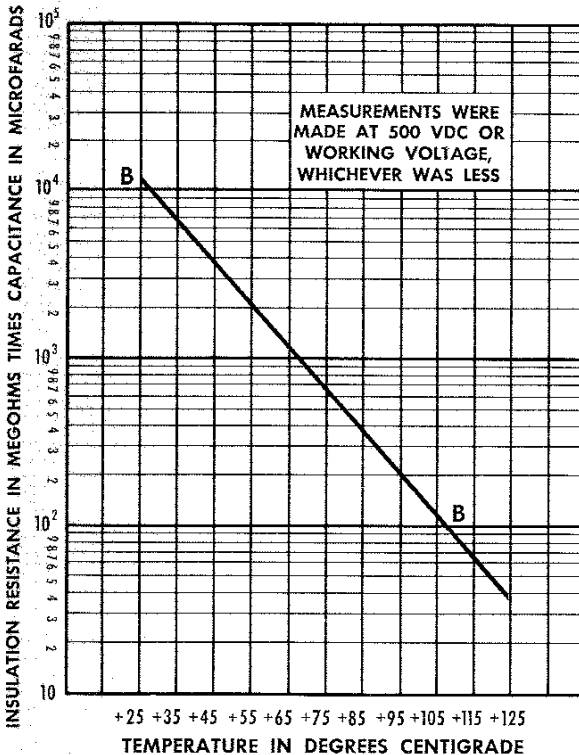
The number of unit-hours to first failure is inversely proportional to the capacitance value in mfd.

As an example, a 0.1 mfd. capacitor operated at full rated voltage and at 105°C. will have a life expectancy of 10 x 500,000 or 5,000,000 unit-hours to first failure. This quality level is continually verified by continuing accelerated life testing on all production.

MINIMUM LIFE EXPECTANCY FOR 1 MFD MYLAR*-PAPER DIPPED CAPACITORS AS A FUNCTION OF VOLTAGE AND TEMPERATURE

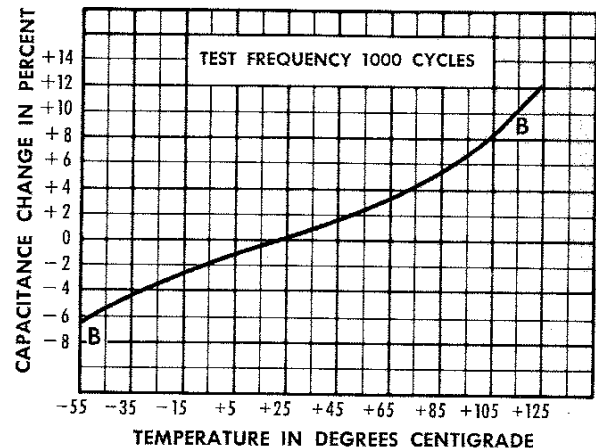


INSULATION RESISTANCE VS. TEMPERATURE



These curves represent characteristics as they change with temperature. They have been charted only after thorough long-term testing of thousands of capacitors to assure validity.

CAPACITY CHANGE VS. TEMPERATURE



Datasheet Provided by
 www.33audio.com

ELMENCO CAPACITORS 1962

Dipped Mylar* - Paper (ELMENCO TYPE MPD)

*Reg. DuPont Trademark

100VDCW

Cap. Mfd.	Part No.	L	W	H	List Price
.005	1DP-1-502	11/16	5/16	1/2	\$0.35
.006	1DP-1-602	11/16	5/16	1/2	.35
.0068	1DP-1-682	11/16	5/16	1/2	.35
.0075	1DP-1-752	11/16	5/16	1/2	.35
.01	1DP-1-103	11/16	5/16	1/2	.35
.015	1DP-1-153	23/32	11/32	17/32	.35
.02	1DP-1-203	23/32	11/32	19/32	.35
.022	1DP-1-223	23/32	11/32	19/32	.35
.025	1DP-1-253	23/32	11/32	19/32	.35
.03	1DP-1-303	23/32	3/8	5/8	.35
.033	1DP-1-333	23/32	3/8	5/8	.35
.04	1DP-1-403	23/32	3/8	5/8	.40
.047	1DP-2-473	7/8	11/32	19/32	.40
.05	1DP-2-503	7/8	11/32	19/32	.40
.056	1DP-2-563	7/8	3/8	5/8	.40
.068	1DP-2-683	7/8	13/32	5/8	.40
.075	1DP-2-753	7/8	13/32	5/8	.45
.1	1DP-2-104	29/32	7/16	11/16	.45
.15	1DP-3-154	1-1/4	7/16	11/16	.45
.2	1DP-3-204	1-9/32	1/2	23/32	.50
.22	1DP-3-224	1-9/32	1/2	23/32	.50
.25	1DP-3-254	1-9/32	17/32	3/4	.55
.33	1DP-4-334	1-3/8	9/16	13/16	.65
.47	1DP-4-474	1-3/8	21/32	29/32	.80
.5	1DP-4-504	1-3/8	21/32	29/32	.80
.68	1DP-5-684	1-9/16	11/16	15/16	1.10
1.0	1DP-5-105	1-9/16	3/4	1	1.60

600VDCW

Cap. Mfd.	Part No.	L	W	H	List Price
.001	6DP-1-102	11/16	11/32	17/32	\$0.35
.0012	6DP-1-122	11/16	11/32	17/32	.35
.0015	6DP-1-152	11/16	11/32	17/32	.35
.002	6DP-1-202	11/16	11/32	17/32	.35
.0022	6DP-1-222	11/16	11/32	17/32	.35
.0025	6DP-1-252	11/16	11/32	17/32	.35
.0027	6DP-1-272	11/16	11/32	17/32	.35
.003	6DP-1-302	11/16	11/32	17/32	.35
.0033	6DP-1-332	11/16	11/32	17/32	.35
.0039	6DP-1-392	11/16	11/32	9/16	.35
.004	6DP-1-402	11/16	11/32	9/16	.35
.0047	6DP-1-472	23/32	3/8	19/32	.35
.005	6DP-1-502	23/32	3/8	19/32	.35
.0056	6DP-1-562	23/32	3/8	19/32	.35
.006	6DP-1-602	23/32	3/8	5/8	.40
.0068	6DP-1-682	23/32	13/32	21/32	.40
.0075	6DP-2-752	7/8	11/32	9/16	.40
.008	6DP-2-802	7/8	11/32	9/16	.40
.0082	6DP-2-822	7/8	11/32	9/16	.40
.01	6DP-2-103	7/8	3/8	19/32	.40
.012	6DP-2-123	7/8	3/8	19/32	.40
.015	6DP-2-153	7/8	13/32	5/8	.40
.02	6DP-2-203	7/8	7/16	21/32	.40
.022	6DP-2-223	7/8	15/32	21/32	.40
.025	6DP-2-253	7/8	1/2	11/16	.45
.027	6DP-3-273	1-3/16	7/16	21/32	.45
.03	6DP-3-303	1-3/16	7/16	21/32	.45
.033	6DP-3-333	1-3/16	7/16	21/32	.45
.039	6DP-3-393	1-3/16	15/32	11/16	.45
.04	6DP-3-403	1-3/16	15/32	11/16	.45
.047	6DP-3-473	1-3/16	1/2	23/32	.50
.05	6DP-3-503	1-3/16	1/2	23/32	.50
.056	6DP-3-563	1-3/16	17/32	3/4	.50
.06	6DP-3-603	1-3/16	17/32	3/4	.55
.068	6DP-4-683	1-11/32	17/32	13/16	.55
.075	6DP-4-753	1-11/32	17/32	13/16	.55
.082	6DP-4-823	1-11/32	9/16	27/32	.55
.1	6DP-4-104	1-11/32	5/8	7/8	.55
.15	6DP-5-154	1-9/16	21/32	7/8	.70
.2	6DP-5-204	1-9/16	23/32	15/16	.80
.22	6DP-5-224	1-9/16	25/32	1	.80
.25	6DP-5-254	1-9/16	13/16	1-1/6	.85
.33	6DP-6-334	2-3/8	3/4	1	1.15
.47	6DP-6-474	2-3/8	7/8	1-1/8	1.60
.5	6DP-6-504	2-3/8	7/8	1-1/8	1.60

200VDCW

Cap. Mfd.	Part No.	L	W	H	List Price
.1	2DP-3-104	1-7/32	1/2	23/32	\$0.45
.15	2DP-3-154	1-1/4	9/16	25/32	.50
.2	2DP-4-204	1-11/32	5/8	7/8	.55
.22	2DP-4-224	1-11/32	5/8	7/8	.55
.25	2DP-4-254	1-11/32	21/32	7/8	.60
.33	2DP-5-334	1-9/16	21/32	7/8	.70
.47	2DP-5-474	1-9/16	3/4	1	.85
.5	2DP-5-504	1-9/16	25/32	1	.85

1600VDCW

Cap. Mfd.	Part No.	L	W	H	List Price
.01	4DP-1-103	23/32	3/8	5/8	\$0.35
.015	4DP-1-153	23/32	7/16	21/32	.35
.02	4DP-2-203	7/8	13/32	5/8	.35
.022	4DP-2-223	7/8	13/32	5/8	.40
.025	4DP-2-253	7/8	7/16	21/32	.40
.03	4DP-2-303	7/8	15/32	21/32	.40
.033	4DP-2-333	7/8	15/32	21/32	.40
.04	4DP-3-403	1-3/16	7/16	21/32	.40
.047	4DP-3-473	1-3/16	7/16	21/32	.40
.05	4DP-3-503	1-3/16	7/16	21/32	.40
.056	4DP-3-563	1-3/16	15/32	11/16	.40
.068	4DP-3-683	1-3/16	1/2	23/32	.50
.075	4DP-3-753	1-1/4	17/32	3/4	.50
.1	4DP-3-104	1-1/4	19/32	27/32	.50
.15	4DP-4-154	1-11/32	5/8	7/8	.55
.2	4DP-5-204	1-9/16	5/8	7/8	.65
.22	4DP-5-224	1-9/16	21/32	7/8	.65
.25	4DP-5-254	1-9/16	11/16	15/16	.70
.27	4DP-5-274	1-9/16	11/16	15/16	.70
.33	4DP-5-334	1-9/16	3/4	15/16	1.00
.47	4DP-6-474	2-3/8	13/16	1-1/16	1.40
.5	4DP-6-504	2-3/8	13/16	1-1/16	1.40
.001	16DP-2-102	7/8	11/32	9/16	\$0.55
.0015	16DP-2-152	7/8	11/32	9/16	.55
.0018	16DP-2-182	7/8	3/8	19/32	.55
.002	16DP-2-202	7/8	3/8	19/32	.55
.0022	16DP-2-222	7/8	3/8	19/32	.55
.0025	16DP-2-252	7/8	13/32	5/8	.55
.003	16DP-2-302	7/8	7/16	21/32	.55
.0033	16DP-2-332	7/8	7/16	21/32	.55
.004	16DP-2-402	7/8	15/32	21/32	.55
.0047	16DP-2-472	7/8	1/2	23/32	.55
.005	16DP-2-502	7/8	17/32	3/4	.55
.006	16DP-3-602	1-3/16	7/16	21/32	.60
.007	16DP-3-702	1-3/16	15/32	11/16	.60
.0075	16DP-3-752	1-3/16	1/2	23/32	.60
.008	16DP-3-802	1-3/16	17/32	3/4	.60
.01	16DP-3-103	1-3/16	17/32	3/4	.60
.015	16DP-4-153	1-11/32	9/16	27/32	.65
.02	16DP-4-203	1-11/32	21/32	7/8	.70
.022	16DP-5-223	1-9/16	5/8	7/8	.70
.025	16DP-5-253	1-9/16	21/32	7/8	.70
.03	16DP-5-303	1-9/16	11/16	15/16	.70
.033	16DP-5-333	1-9/16	23/32	15/16	.70
.04	16DP-5-403	1-9/16	3/4	1	.75
.047	16DP-5-473	1-9/16	13/16	1-1/16	.80
.05	16DP-5-503	1-9/16	13/16	1-1/16	.80